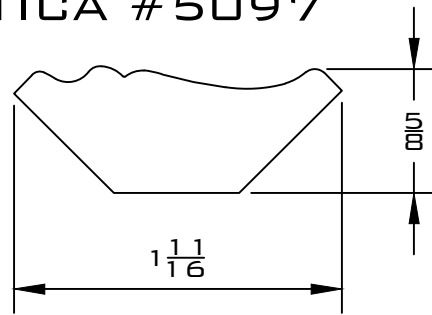


ATTICA #5097



PROJECTION:
1 1/4 W X 1 3/16 H